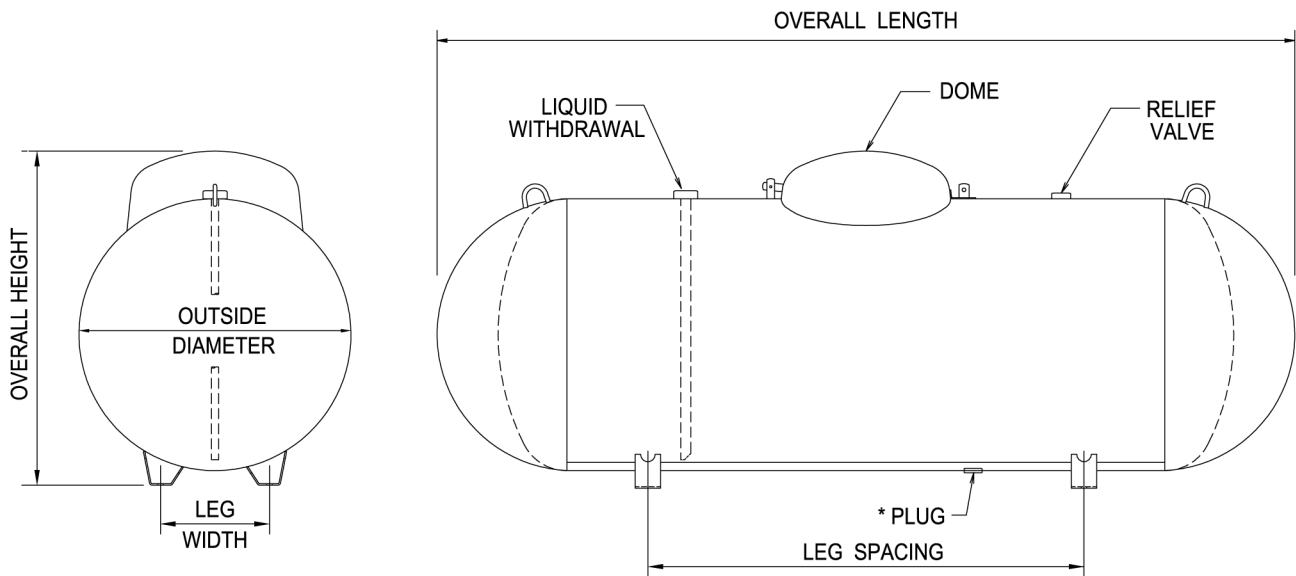


TRINITY CONTAINERS, LLC AG DOMESTIC TANKS



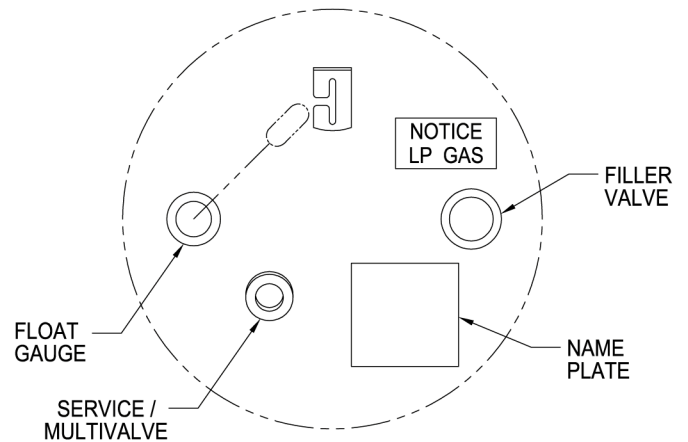
General Specifications

Conforms to the last edition and addenda of the ASME code for Pressure Vessels, Section VIII, Division 1. Complies with NFPA 58.

Rated at 250 psig from -20° F. to 125° F. All tanks may be evacuated to a full (14.7 psi) vacuum.

Vessel Finish: Coated with TGIC powder.

Liquid withdrawal opening located under the dome on the 120wg vessels ONLY.



ABOVEGROUND VESSEL DIMENSIONAL INFORMATION

All vessels dimensions are approximate

WATER CAPACITY	OUTSIDE DIAMETER	HEAD TYPE	OVERALL LENGTH	OVERALL HEIGHT	LEG WIDTH	LEG SPACING	WEIGHT	
* 120 wg. 454.2 L	24" 609.6 mm	Ellip	5' - 5 13/16" 1671.6 mm	2' - 8 1/4" 819.2 mm	10 1/8" 257.2 mm	3' - 0" 914.4 mm	245 lbs. 111.1 kg.	
* 250 wg. 946.3 L	31.5" 800.1 mm	Hemi	7' - 2 1/2" 2197.1 mm	3' - 3 3/4" 1009.7 mm	12 3/4" 323.9 mm	3' - 6" 1066.8 mm	472 lbs. 214.1 kg.	
* 320 wg. 1211.2 L	31.5" 800.1 mm	Hemi	8' - 11 3/4" 2736.9 mm	3' - 3 3/4" 1009.7 mm	12 3/4" 323.9 mm	4' - 0 1/4" 1225.6 mm	588 lbs. 266.7 kg.	
500 wg. 1892.5 L	37.42" 950.5 mm	Hemi	9' - 10" 2997.2 mm	3' - 9 11/16" 1160.5 mm	15" 381.0 mm	5' - 0" 1524.0 mm	871 lbs. 395.1 kg	
850 wg. 3217.3 L	40.96" 1040.4 mm	Hemi	13' - 10 7/16" 4227.5 mm	4' - 1 5/8" 1260.5 mm	16 1/4" 412.8 mm	8' - 0" 2438.4 mm	1522 lbs. 690.3 kg	
1000 wg. 3785.0 L	40.96" 1040.4 mm	Hemi	15' - 10 13/16" 4846.6 mm	4' - 1 3/8" 1254.1 mm	16 1/4" 412.8 mm	9' - 0" 2743.2 mm	1729 lbs. 784.3 kg	
1465 wg. 5545.0 L	46.77" 1188 mm	Ellip	17' - 6 7/8" 5356.2 mm	4' - 4 3/4" 1339.9 mm	21" 533.4 mm	10' - 0" 3048 mm	2745 lbs. 1245 kg	
2000 wg. 7570.0 L	46.77" 1188 mm	Ellip	23' - 9" 7239 mm	4' - 7" 1709.7 mm	21" 533.4 mm	20' - 0" 6096 mm	3676 lbs. 1667.5 kg	

* DRAIN PLUG NOT AVAILABLE